

**PT200 (A629)**

## **PARTS CATALOG**

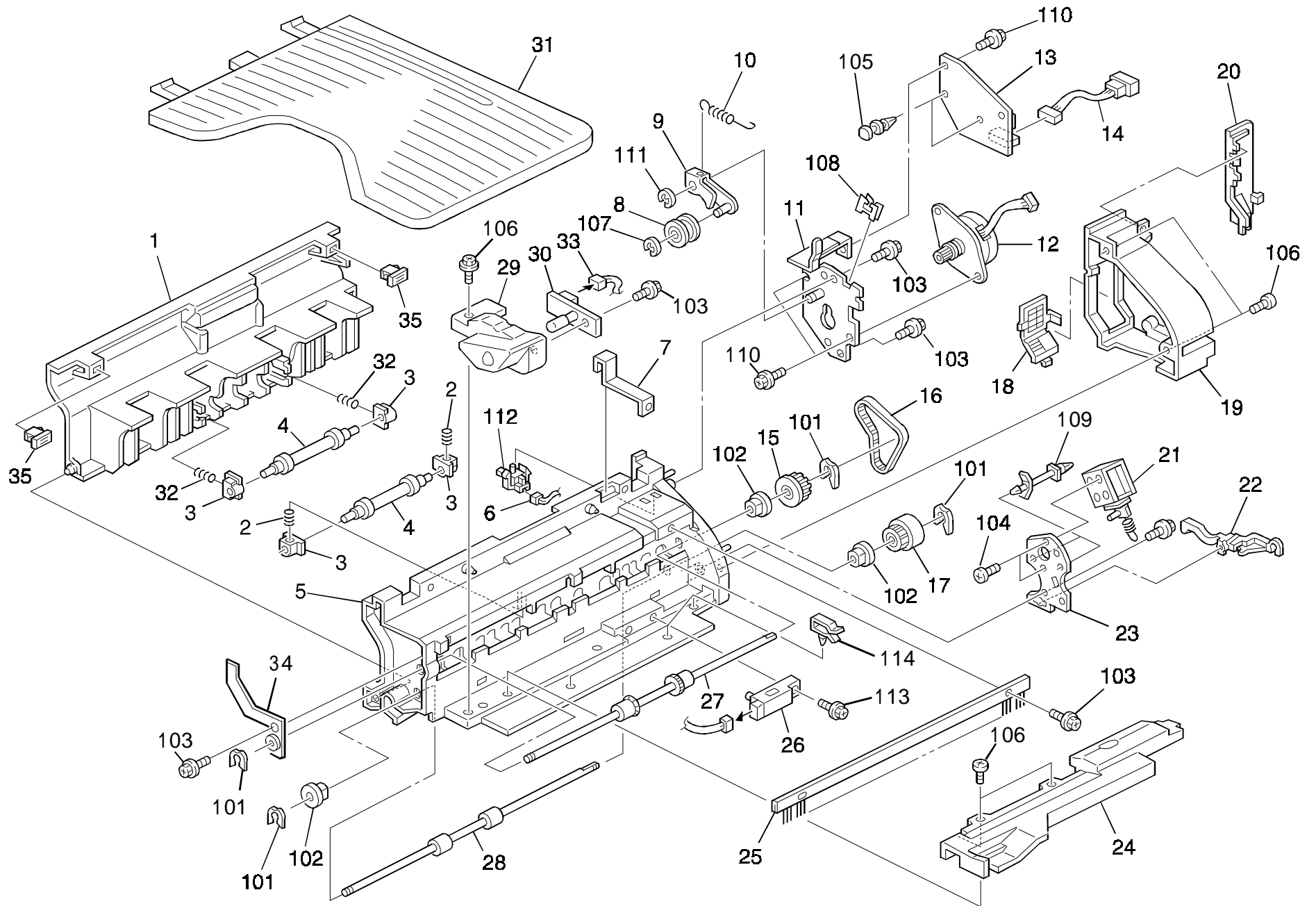
### **INTRODUCTION**

This chapter instructs you the numbers and names of parts on this machine.

### **INDEX to PARTS CATALOG**

1.1 Bin Tray (A629).....	2
<b>Parts Index.....</b>	<b>5</b>

# 1. 1 Bin Tray (A629)



## 1. 1 Bin Tray (A629)

Index No.	Part No.	Description	Q'ty Per Assembly
1	A629 1511	Left Cover	1
2	AA06 3312	Exit Roller Spring	2
3	AA08 0220	Bushing - 6mm	4
4	AF02 2090	Driven Roller	2
5	A629 2211	Frame - Paper Feed	1
6	A629 5200	Safety Switch Harness	1
7	A629 2231	Grounding Plate	1
8	AB03 0395	Idle Pulley	1
9	A629 2171	Belt Tightener	1
10	AA06 0668	Tension Spring	1
11	A629 2161	Bracket - Bin Unit	1
12	AX04 0093	Bin Unit Motor DC2.6W	1
13	A629 5100	Tray Board	1
14	A629 5210	Interface Harness	1
15	A629 2131	Torque Limiter - Paper Exit	1
16	AA04 3257	Timing Belt - 164	1
17	A629 2141	Torque Limiter - Paper Transport	1
18	A629 1541	Exhaust Cover	1
19	A629 1521	Rear Cover	1
20	A629 1531	Connector Cover	1
21	A629 2115	Junction Gate Solenoid	1
22	A629 2121	Junction Gate Lever	1
23	A629 2111	Bracket - Junction Gate Solenoid	1
24	A629 2261	Harness Cover - Paper Indicator	1
25	AA12 0027	Antistatic Brush	1
26	AW01 0070	Photosebsor - PS-R11D1-B	1
27	AF02 0378	Exit Roller	1
28	AF02 0379	Transport Roller	1
29	A629 2251	Paper Indicator Cover	1
30	A629 5110	Paper Indicator Board	1
31	A629 3111	Receiving Tray	1
32	AA06 3311	Transport Roller Spring	2
33	A629 5220	Paper Indicator Harness	1
34	A629 2221	Grounding Plate	1
35	A049 3371	Magnet	2

Index No.	Part No.	Description	Q'ty Per Assembly
101	0805 0089	Retaining Ring - M4	
102	0805 3480	Bushing - 6mm	
103	0450 3008B	Tapping Screw - M3x8	
104	0313 0030B	Philips Pan Head Screw - M3x3	
105	1105 0299	Locking Card Spacer - KglS-18s	
106	0452 3010Z	Bind Tapping Screw - 3x10	
107	0720 0030E	Retaining Ring - M3	
108	1105 0328	Harness Clamp - ES-0505	
109	1105 0362	Spacer - M8	
110	0451 3006B	Tapping Screw - M3x6	
111	0720 0040E	Retaining Ring - M4	
112	1204 2379	Micro Switch - CS2A-B2BA	
113	0450 3014b	Tapping Screw - M3x14	
114	1105 0283	Clamp	

# **PARTS INDEX**

Part No.	Description	Page and Index No.
A629 1511	Left Cover	3- 1
A629 1521	Rear Cover	3- 19
A629 1531	Connector Cover	3- 20
A629 1541	Exhaust Cover	3- 18
A629 2111	Bracket - Junction Gate Solenoid	3- 23
A629 2115	Junction Gate Solenoid	3- 21
A629 2121	Junction Gate Lever	3- 22
A629 2131	Torque Limiter - Paper Exit	3- 15
A629 2141	Torque Limiter - Paper Transport	3- 17
A629 2161	Bracket - Bin Unit	3- 11
A629 2171	Belt Tightener	3- 9
A629 2211	Frame - Paper Feed	3- 5
A629 2221	Grounding Plate	3- 34
A629 2231	Grounding Plate	3- 7
A629 2251	Paper Indicator Cover	3- 29
A629 2261	Harness Cover - Paper Indicator	3- 24
A629 3111	Receiving Tray	3- 31
A629 5100	Tray Board	3- 13
A629 5110	Paper Indicator Board	3- 30
A629 5200	Safety Switch Harness	3- 6
A629 5210	Interface Harness	3- 14
A629 5220	Paper Indicator Harness	3- 33

Part No.	Description	Page and Index No
AA04 3257	Timing Belt - 164	3- 16
AA06 0668	Tension Spring	3- 10
AA06 3311	Transport Roller Spring	3- 32
AA06 3312	Exit Roller Spring	3- 2
AA08 0220	Bushing - 6mm	3- 3
AA12 0027	Antistatic Brush	3- 25
AB03 0395	Idle Pulley	3- 8
AF02 0378	Exit Roller	3- 27
AF02 0379	Transport Roller	3- 28
AF02 2090	Driven Roller	3- 4
AW01 0070	Photorespsor - PS-R11D1-B	3- 26
AX04 0093	Bin Unit Motor DC2.6W	3- 12

Part No.	Description	Page and Index No.
A049 3371	Magnet	3- 35

Part No.	Description	Page and Index No
0313 0030B	Philips Pan Head Screw - M3x3	3-104
0450 3008B	Tapping Screw - M3x8	3-103
0450 3014b	Tapping Screw - M3x14	3-113
0451 3006B	Tapping Screw - M3x6	3-110
0452 3010Z	Bind Tapping Screw - 3x10	3-106
0720 0030E	Retaining Ring - M3	3-107
0720 0040E	Retaining Ring - M4	3-111
0805 0089	Retaining Ring - M4	3-101
0805 3480	Bushing - 6mm	3-102
1105 0283	Clamp	3-114
1105 0299	Locking Card Spacer - KglS-18s	3-105
1105 0328	Harness Clamp - ES-0505	3-108
1105 0362	Spacer - M8	3-109
1204 2379	Micro Switch - CS2A-B2BA	3-112